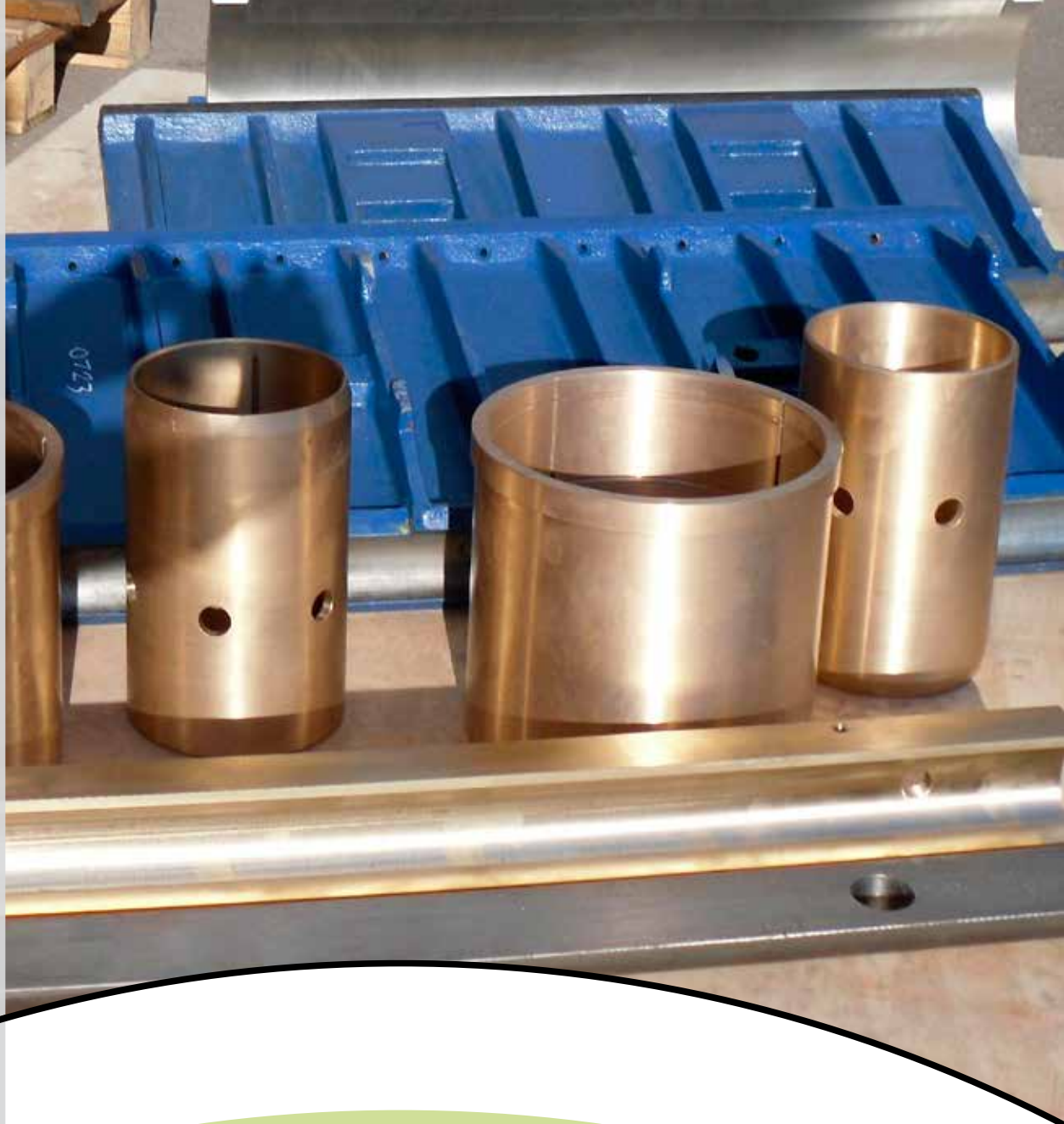


Crusher

wear and spare parts



13

- 13. Crusher wear and spare parts
 - 13.1. Jaw crushers wear and spare parts
 - 13.2. Cone crushers wear and spare parts
 - 13.3. Impact mills wear and spare parts



Crusher wear and spare parts

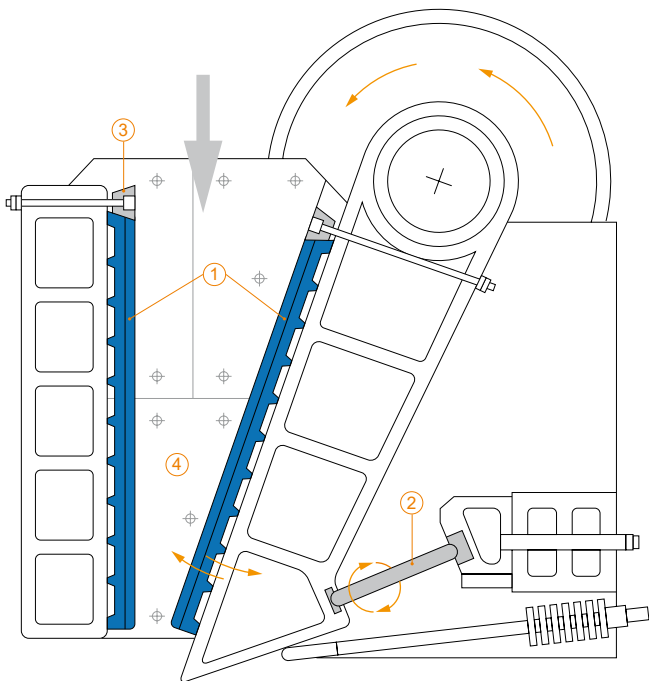
Jaw crusher wear and spare parts

NUBA Screening Media distributes compatible spares for major Jaw crusher brands, ensuring the top quality of all parts. The spares are wholly interchangeable with the originals.

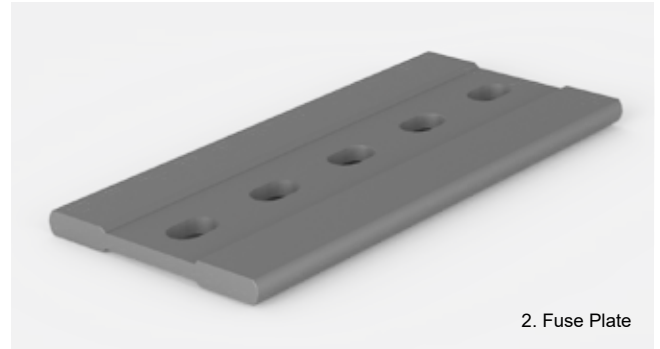
We have a large stock of compatible spares for Jaw crushers, both wear parts and machine spares, ensuring the top quality of all these products with ISO 9001 certification.

We have a permanent stock of parts compatible with the main brands and models, including jaws, fuse plates, wearing plates and any consumables. All these spares are fully guaranteed by NUBA Screening Media.

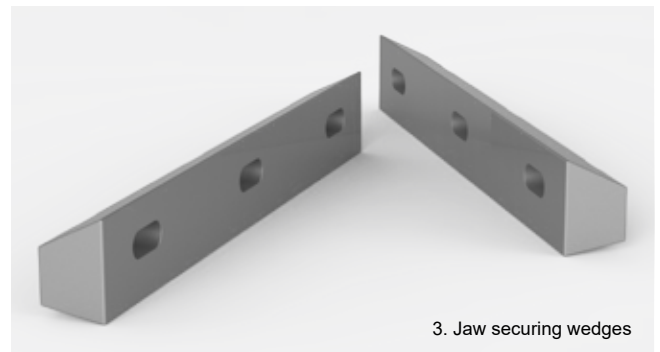
The wearing parts distributed by NUBA Screening Media are made in 14%-18%-20% manganese content and with a chrome content of 2-3%. They conform to all the most common measurements and profiles on the market and we can manufacture parts in line with the customer's indications and specifications.



1. Jaws



2. Fuse Plate



3. Jaw securing wedges



4. Antiwear lateral plates

Cone crusher wear and spare parts

NUBA Screening Media distributes compatible spares for major Cone crusher brands, ensuring the top quality of all parts. The spares are wholly interchangeable with the originals.

We have a large stock of compatible spares for Cone crushers, both wear parts and machine spares, ensuring the top quality of all these products with ISO 9001 certification.

We have permanent stock of parts compatible with the main brands and models. All these spares are fully guaranteed by NUBA Screening Media.

We offer all kinds of jaws with M2 manganese grade and a chrome content of 2-3%. We also provide a full range of spares including bushings, gears, pinions etc. As well as complete sets of spindles and the main axle, secondary axle and pinion for all the major brands and models.

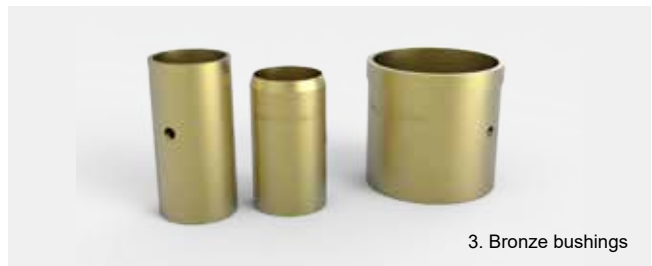
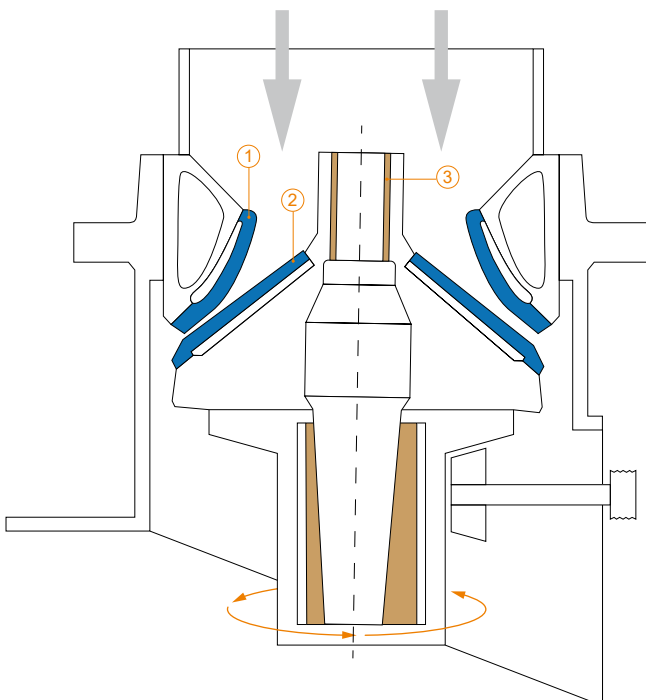
For this type of crushers we have the **TN-Fix**, jaw fitting resin, further information on page 125.



1. Fixed jaw



2. Mobile Jaw



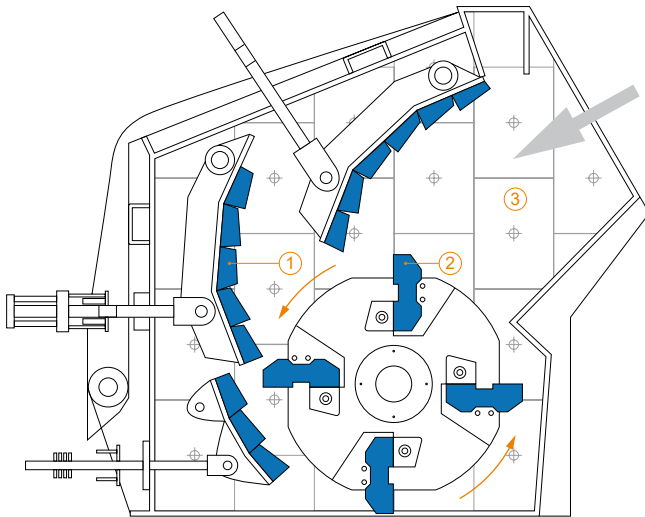
3. Bronze bushings

Impact mills wear and spare parts

NUBA Screening Media distributes compatible spares for major Impact mill brands, ensuring the top quality of all parts. The spares are wholly interchangeable with the originals.

We have a large stock of compatible spares for Impact mills, both wear parts and machine spares, ensuring the top quality of all these products with ISO 9001 certification.

We have a permanent stock of parts compatible with the main brands and models, including impact bars, hammers, impact plates and coating plates. All these spares are fully guaranteed by NUBA Screening Media.



1. Breaking jaws



2. Boring bars



3. Antiwear lateral plates



Catalogue submitted to:

.....

Company:

.....